

KitchenAid®

ICE MAKER

Use & Care Guide

For questions about features, operation/performance, parts accessories or service, call: **1-800-422-1230**
In Canada, call for assistance **1-800-461-5681**, for installation and service, call: **1-800-807-6777** or visit our website at...
www.kitchenaid.com or www.KitchenAid.ca

MACHINE À GLAÇONS

Guide d'utilisation et d'entretien

Au Canada, pour assistance composez le **1-800-461-5681**, pour installation ou service composez le **1-800-807-6777** ou visitez notre site web à...
www.KitchenAid.ca

Table of Contents/Table des matières..... 2



TABLE OF CONTENTS

ICE MAKER SAFETY	3
INSTALLATION INSTRUCTIONS	4
Unpack the Ice Maker	4
Location Requirements	4
Electrical Requirements	4
Water Supply Requirements	5
Leveling	5
Connect Water Supply	5
Drain Connection	6
Ice Maker Doors	7
Normal Sounds	8
ICE MAKER USE	8
How Your Ice Maker Works	8
Using the Controls	9
ICE MAKER CARE	9
Cleaning	9
Changing the Light Bulb	11
Vacation and Moving Care	11
TROUBLESHOOTING	12
Ice Maker Operation	12
Ice Production	12
Ice Quality	12
Plumbing Problems	12
ASSISTANCE OR SERVICE	13
In the U.S.A.	13
In Canada	13
WARRANTY	14

TABLE DES MATIÈRES

SÉCURITÉ DE LA MACHINE À GLAÇONS	15
INSTRUCTIONS D'INSTALLATION	16
Déballage de la machine à glaçons	16
Exigences d'emplacement	16
Spécifications électriques	16
Spécifications de l'alimentation en eau	17
Nivellement	17
Raccordement de la canalisation d'eau	17
Raccordement au conduit d'évacuation	18
Porte de la machine à glaçons	19
Sons normaux	20
UTILISATION DE LA MACHINE À GLAÇONS	21
Fonctionnement de la machine à glaçons	21
Utilisation des commandes	21
ENTRETIEN DE LA MACHINE À GLAÇONS	21
Nettoyage	21
Changement de l'ampoule d'éclairage	24
Précautions à prendre pour les vacances ou le déménagement	24
DÉPANNAGE	25
Fonctionnement de la machine à glaçons	25
Production de glaçons	25
Qualité des glaçons	26
Problèmes de plomberie	26
ASSISTANCE OU SERVICE	26
GARANTIE	27

ICE MAKER SAFETY

Your safety and the safety of others are very important.

We have provided many important safety messages in this manual and on your appliance. Always read and obey all safety messages.



This is the safety alert symbol.

This symbol alerts you to potential hazards that can kill or hurt you and others.

All safety messages will follow the safety alert symbol and either the word "DANGER" or "WARNING."

These words mean:

⚠ DANGER

You can be killed or seriously injured if you don't immediately follow instructions.

⚠ WARNING

You can be killed or seriously injured if you don't follow instructions.

All safety messages will tell you what the potential hazard is, tell you how to reduce the chance of injury, and tell you what can happen if the instructions are not followed.

IMPORTANT SAFETY INSTRUCTIONS

WARNING: To reduce the risk of fire, electric shock, or injury when using your ice maker, follow these basic precautions:

- Plug into a grounded 3 prong outlet.
- Do not remove ground prong.
- Do not use an adapter.
- Do not use an extension cord.
- Disconnect power before cleaning.
- Disconnect power before servicing.
- Replace all parts and panels before operating.
- Use two or more people to move and install ice maker.

SAVE THESE INSTRUCTIONS

INSTALLATION INSTRUCTIONS

Unpack the Ice Maker

⚠ WARNING

Excessive Weight Hazard

**Use two or more people to move and install ice maker.
Failure to do so can result in back or other injury.**

Removing Packaging Materials

Remove tape and glue from your ice maker before using.

- To remove any remaining tape or glue, rub the area briskly with your thumb. Tape or glue residue can also be easily removed by rubbing a small amount of liquid dish soap over the adhesive with your fingers. Wipe with warm water and dry.
- Do not use sharp instruments, rubbing alcohol, flammable fluids, or abrasive cleaners to remove tape or glue. These products can damage the surface of your ice maker.

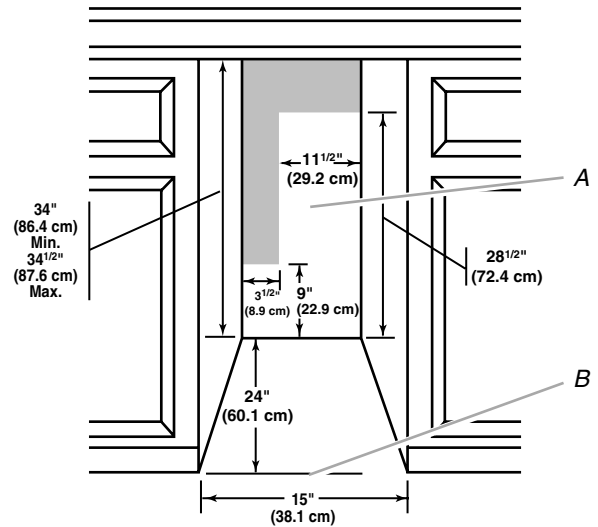
Cleaning Before Use

After you remove all of the packaging materials, clean the inside of your ice maker before using it. See the cleaning instructions in the “Ice Maker Care” section.

Location Requirements

- To ensure proper ventilation for your ice maker, the front side must be completely unobstructed. The unit may be closed-in on the top and three sides, but the installation should allow the ice maker to be pulled forward for servicing if necessary.
- Installation of the ice maker requires a cold water supply inlet of 1/4" (6.35 mm) OD soft copper tubing with a shutoff valve and either a gravity-drain system or condensate pump to carry the water to an existing drain.
- Choose a well ventilated area with temperatures above 55°F (13°C) and below 100°F (38°C). Best results are obtained between 70°F (21°C) and 90°F (32°C).
- This unit must be installed in an area protected from the elements, such as wind, rain, water spray, or drip.
- When installing the ice maker under a counter, follow the recommended opening dimensions shown. Place electrical and plumbing fixtures in the recommended location as shown.

NOTE: Do not kink or pinch the power supply cord between the ice maker and cabinet.



A. Recommended location for electrical and plumbing fixtures

B. Floor level

- You should choose a location where the floor is even. It is important for the ice maker to be level in order to work properly. If needed, you can adjust the height of the ice maker by changing the height of the leveling legs. See “Leveling.”

Electrical Requirements

⚠ WARNING



Electrical Shock Hazard

Plug into a grounded 3 prong outlet.

Do not remove ground prong.

Do not use an adapter.

Do not use an extension cord.

Failure to follow these instructions can result in death, fire, or electrical shock.

Before you move your ice maker into its final location, it is important to make sure you have the proper electrical connection:

A 115 Volt, 60 Hz., AC only 15-amp electrical supply, properly grounded in accordance with the National Electrical Code and local codes and ordinances, is required.

It is recommended that a separate circuit, serving only your ice maker, be provided. Use a receptacle which cannot be turned off by a switch or pull chain.

Recommended grounding method

For your personal safety, this appliance must be grounded. This appliance is equipped with a power supply cord having a 3 prong grounding plug. To minimize possible shock hazard, the cord must be plugged into a mating, 3 prong, grounding-type wall receptacle, grounded in accordance with the National Electrical Code and local codes and ordinances. If a mating wall receptacle is not available, it is the personal responsibility of the customer to have a properly grounded, 3 prong wall receptacle installed by a qualified electrician.

Water Supply Requirements

A cold water supply with water pressure of between 30 and 120 psi (207 - 827 kPa) is required to operate the ice maker. If you have questions about your water pressure, call a licensed, qualified plumber.

Reverse Osmosis Water Supply

IMPORTANT: The pressure of the water supply coming out of a reverse osmosis system going to the water inlet valve of the ice maker needs to be between 30 and 120 psi (207 - 827 kPa).

If a reverse osmosis water filtration system is connected to your cold water supply, the water pressure to the reverse osmosis system needs to be a minimum of 40 to 60 psi (276 - 414 kPa). The reverse osmosis system must provide 1 gal (3.79L) of water per hour to the ice maker for proper ice maker operation.

If the water pressure to the reverse osmosis system is less than 40 to 60 psi (276 - 414 kPa):

- Check to see whether the sediment filter in the reverse osmosis system is blocked. Replace the filter if necessary.
- Allow the storage tank on the reverse osmosis system to refill after heavy usage.

If you have questions about your water pressure, call a licensed, qualified plumber.

Leveling

It is important for the ice maker to be level in order to work properly. Depending upon where you install the ice maker, you may need to make several adjustments to level it. You may also use the leveling legs to lower the height of the ice maker for undercounter installations.

Tools needed:

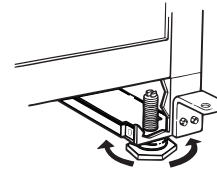
Gather the required tools and parts before starting installation.

- Carpenter's level
- Adjustable wrench

NOTE: It is easier to adjust the leveling legs if you have another person to assist you.

1. Move the ice maker to its final location.
NOTE: If this is a built-in installation, move the ice maker as close as possible to the final location.
2. Place a carpenter's level on top of the product to see if the ice maker is level from front to back and side to side.
3. Push up on the top front of the ice maker, and then locate the leveling screws that are on the bottom front of the ice maker.
4. Using an adjustable wrench, change the height of the legs as follows:
 - Turn the leveling leg to the right to lower that side of the ice maker.
 - Turn the leveling leg to the left to raise that side of the ice maker.

NOTE: The ice maker should not wobble. Use shims to add stability when needed.



5. Push up on the top rear of the ice maker and locate the leveling legs that are on the bottom rear of the ice maker.
6. Follow the instructions in Step 4 to change the height of the legs.
7. Use a carpenter's level to recheck the ice maker to see that it is even from front to back and side to side. If the ice maker is not level, repeat steps 3 to 6. If the ice maker is level, go to the "Connect Water Supply" section.

Connect Water Supply

Read all directions thoroughly before you begin.

IMPORTANT:

- Plumbing shall be installed in accordance with the International Plumbing Code and any local codes and ordinances.
- Use copper tubing and check for leaks.
- Install copper tubing only in areas where temperatures will remain above freezing.

Tools needed:

Gather the required tools and parts before starting installation. Read and follow the instructions provided with any tools listed here.

- Flat-blade screwdriver
- 7/16" and 1/2" open-end wrenches or two adjustable wrenches
- 1/4" nut driver
- 1/4" drill bit
- Hand drill or electric drill properly grounded

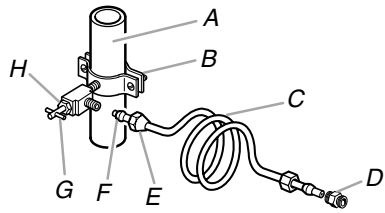
NOTE: Your ice maker dealer has a kit available with a 1/4" (6.35 mm) saddle-type shutoff valve, a union, and copper tubing. Before purchasing, make sure a saddle-type valve complies with your local plumbing codes. Do not use a piercing-type or 3/16" (4.76 mm) saddle valve which reduces water flow and clogs more easily.

Connecting the water line

1. Turn off main water supply. Turn on nearest faucet long enough to clear line of water.
2. Find a 1/2" (12.70 mm) to 1 1/4" (3.18 cm) vertical cold water pipe near the ice maker.
NOTE: Horizontal pipe will work, but the following procedure must be followed: Drill on the top side of the pipe, not the bottom. This will help keep water away from the drill. This also keeps normal sediment from collecting in the valve.
3. Using a grounded drill, drill a 1/4" (6.35 mm) hole in the cold water pipe you have selected.
4. Fasten shutoff valve to cold water pipe with pipe clamp. Be sure outlet end is solidly in the 1/4" (6.35 mm) drilled hole in the water pipe and that washer is under the pipe clamp. Tighten packing nut. Tighten the pipe clamp screws carefully and evenly so washer makes a watertight seal. Do not overtighten the pipe clamp or you may crush cold water pipe if it is soft copper tubing. Do not use a piercing-type or 3/16" (4.76 mm) saddle-type valve which reduces water flow and clogs more easily.

5. Now you are ready to connect the copper tubing. Use ¼" (6.35 mm) OD soft copper tubing for the cold water supply.

- Ensure that you have the proper length needed for the job. Be sure both ends of the copper tubing are cut square.
- Slip compression sleeve and compression nut on copper tubing as shown. Insert end of tubing into outlet end squarely as far as it will go. Screw compression nut onto outlet end with adjustable wrench. Do not overtighten.



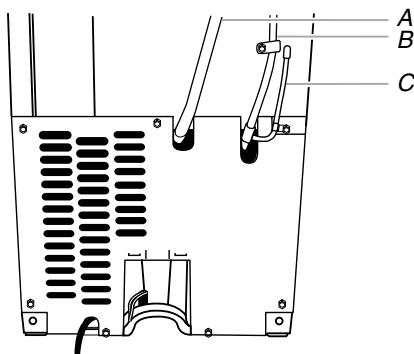
A. Cold water pipe
B. Pipe clamp
C. Copper tubing
D. Coupling (purchased)
E. Compression nut
F. Compression sleeve
G. Shutoff valve
H. Packing nut

6. Place the free end of the tubing into a container or sink, and turn on main water supply and flush out tubing until water is clear. Turn off shutoff valve on the water pipe.

NOTE: Always drain the water line before making the final connection to the inlet of the water valve to prevent possible water valve malfunction.

7. Bend the copper tubing to meet the water line inlet which is located on the back of the ice maker cabinet as shown.

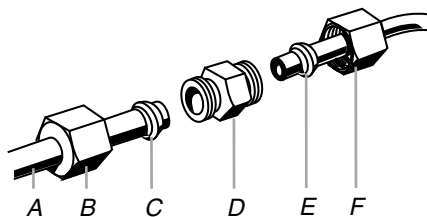
REAR VIEW



A. Drain hose (drain pump models only)
B. Vent hose (drain pump models only)
C. Water supply line

8. Thread the nut onto the coupling on the end of the copper tubing. Tighten the nut by hand. Then tighten it with a wrench two more turns. Do not overtighten.

NOTE: To prevent rattling, be sure the copper tubing does not touch the cabinet's side wall or other parts inside the cabinet.



A. Line to ice maker
B. Nut (purchased)
C. Ferrule (purchased)
D. Coupling (purchased)
E. Ferrule (purchased)
F. Nut (purchased)

9. Turn shutoff valve ON.

10. Check for leaks. Tighten any connections (including connections at the valve) or nuts that leak.

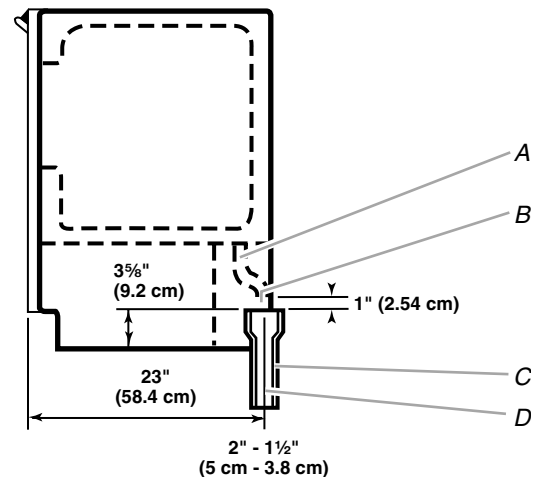
Drain Connection

Gravity Drain System

Connect the ice maker drain to your drain in accordance with all state and local codes and ordinances. If the ice maker is provided with a gravity drain system, follow these guidelines when installing drain lines. This will prevent water from flowing back into the ice maker storage bin and potentially flowing onto the floor causing water damage.

- Drain lines must have a minimum of ⅝" (15.88 mm) inside diameter.
- Drain lines must have a 1" drop per 48" (2.54 cm drop per 122 cm) of run or ¼" drop per 12" (6.35 mm per 30.48 cm) of run and must not have low points where water can settle.
- The floor drains must be large enough to accommodate drainage from all drains.
- The ideal installation has a standpipe with a 1½" (3.81 cm) to 2" (5.08 cm) PVC drain reducer installed directly below the outlet of the drain tube as shown. You must maintain a 1" (2.54 cm) air gap between the drain hose and the standpipe.
- It may be desirable to insulate the drain line thoroughly up to the drain inlet.

SIDE VIEW



A. Drain hose
B. 1" (2.54 cm) air gap
C. PVC drain reducer
D. Center of drain should be 23" (58.4 cm) from front of door, with or without the ¾" (1.91 cm) panel on the door. The drain should also be centered from left to right (7 ⅝" [18.56 cm] from either side of the ice maker).

Drain Pump System (on some models)

Connect the ice maker drain to your drain in accordance with the International Plumbing Code and any local codes and ordinances.

NOTE: If the drain hose becomes twisted and water cannot drain, your ice maker will not work.

Connecting the Drain

After ensuring that the drain system is adequate, follow these steps to properly place the ice maker:

⚠ WARNING



Electrical Shock Hazard

Plug into a grounded 3 prong outlet.

Do not remove ground prong.

Do not use an adapter.

Do not use an extension cord.

Failure to follow these instructions can result in death, fire, or electrical shock.

1. Plug ice maker into a grounded 3 prong outlet.

⚠ WARNING

Excessive Weight Hazard

Use two or more people to move and install ice maker.

Failure to do so can result in back or other injury.

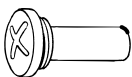
2. **Style 1** - For gravity drain system, push the ice maker into position so that the ice maker drain tube is positioned over the PVC drain reducer. See "Gravity Drain System" earlier in this section. **Style 2** - For drain pump system connect the drain pump outlet hose to the drain. See "Drain Pump System" earlier in this section.
3. Recheck the ice maker to be sure that it is level. See "Leveling."
4. If it is required by your local sanitation code, seal the cabinet to the floor with an approved caulking compound after all water and electrical connections have been made.

Ice Maker Doors

TOOLS NEEDED:

Gather the required tools and parts before starting installation.

- 5/16" wrench
- Flat putty knife
- 1/4" wrench
- Phillips screwdriver



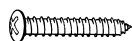
Hinge pin



5/16" Hex-head hinge screw



Handle screw



End Cap screw

Remove Door

1. Unplug ice maker or disconnect power.
2. Remove the handle screws and handle (on some models). Keep the parts together and set them aside.
3. Remove the hinge pin from the top hinge.
4. Remove the door from the hinges and screw the top hinge pin back into the top hinge.
5. Reverse the door end caps as follows:
 - Remove both the screws and end caps (top and bottom).
 - Move the top end cap diagonally to the opposite side's bottom corner, keeping the straight side of the end cap facing the front of the ice maker.
 - Move the bottom end cap diagonally to the opposite side's top corner, keeping the straight side of the end cap facing the front of the ice maker.
6. Set the door aside.

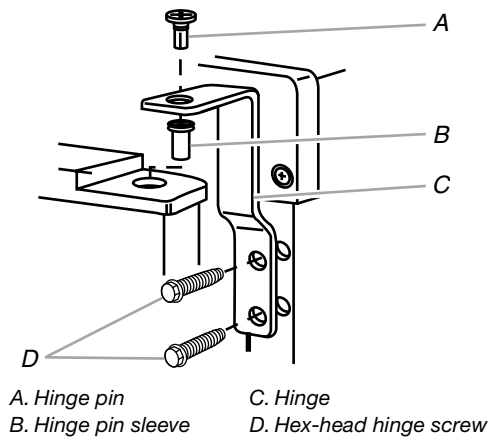
Reverse Hinges

1. Unscrew and remove the top hinge. Replace the screws in the empty hinge holes.
2. Remove the screws from the bottom of the opposite side of the ice maker cabinet. Turn the top hinge upside down so that the hinge pin points up. Place the hinge on the bottom opposite side of the ice maker and tighten screws.
3. Remove the plastic hinge pin sleeve from the "old" bottom hinge and replace it on the new bottom hinge pin.
4. Remove the "old" bottom hinge screws and hinge. Replace the screws in the empty hinge holes.
5. Remove the screws from the top of the opposite side of the ice maker cabinet. Turn the hinge upside down so that the hinge pin points down. Place the hinge on the top opposite side of the ice maker and tighten the screws.
6. Remove the top hinge pin.

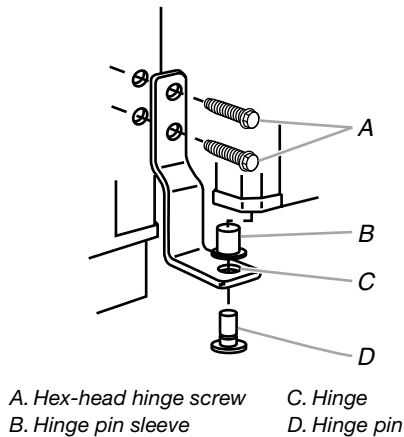
Replace Door

1. Place plastic hinge pin sleeve in the top hinge hole on the door. Align the door with the top hinge hole and replace the top hinge pin.
2. Replace the handle and handle screws.

Top Hinge



Bottom Hinge



Normal Sounds

Your new ice maker may make sounds that are not familiar to you. Because the sounds are new to you, you might be concerned about them. Most of the new sounds are normal. Hard surfaces such as floors, walls and cabinets can make the sounds seem louder than they actually are. The following describes the kinds of sounds that might be new to you and what may be making them.

- You will hear a buzzing sound when the water valve opens to fill the water reservoir for each cycle.
- Rattling noises may come from the flow of the refrigerant or the water line. Items stored on top of the ice maker can also make noises.
- The high-efficiency compressor may make a pulsating or high pitched sound.
- Water running over the evaporator plate may make a splashing sound.
- Water running from the evaporator plate to the water reservoir may make a splashing sound.
- As each cycle ends, you may hear a gurgling sound due to the refrigerant flowing in your ice maker.
- You may hear air being forced over the condenser by the condenser fan.
- During the harvest cycle, you may hear a “thud” when the ice sheet slides from the evaporator onto the cutter grid.
- When you first start the ice maker, you may hear water running continuously. The ice maker is programmed to run a rinse cycle before it begins to make ice.

ICE MAKER USE

Reverse Door Catch

1. Remove the hole plugs from the opposite side of the door and set aside.
2. Remove the screws from the magnetic door catch and replace it on the opposite side of the door.
3. Push the hole plugs into place on the opposite side of the door.
4. Plug in ice maker or reconnect power.

How Your Ice Maker Works

When you first start your ice maker, the water pan will fill and the system will rinse itself before starting to make ice. The rinsing process takes about 5 minutes.

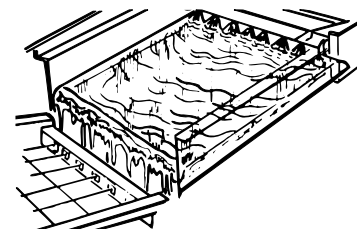
Under normal operating conditions, the ice maker will cycle at preset temperatures. The ice level sensor located in the ice storage bin will monitor the ice levels.

IMPORTANT:

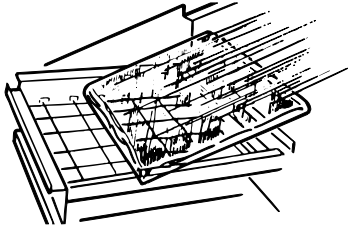
- If the water supply to the ice maker is turned off, be sure to set the ice maker control to OFF.
- The ice maker is designed to make clear ice from the majority of water sources on a daily basis. If your results are unsatisfactory, your water may need to be filtered or treated.

The Ice Making Process

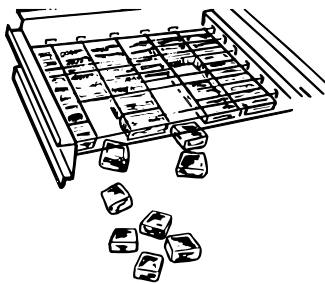
1. Water is constantly circulated over a freezing plate. As the water freezes into ice, the minerals in the water are rejected. This produces a clear sheet of ice with a low mineral content.



- When the desired thickness is reached, the ice sheet is released and slides onto a cutter grid. The grid divides the sheet into individual cubes.



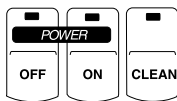
- The water containing the rejected minerals is drained after each freezing cycle.
- Fresh water enters the machine for the next ice making cycle.
- Cubes fall into the storage bin. When the bin is full, the ice maker shuts off automatically and restarts when more ice is needed. The ice bin is not refrigerated, and some melting will occur. The amount of melting varies with room temperature.



NOTE: As the room and water temperatures vary, so will the amount of ice produced and stored. This means that higher operating temperatures result in reduced ice production.

Using the Controls

- To start the normal ice making cycle, select ON.
- To stop ice maker operation, select OFF.



NOTE: The CLEAN setting is used whenever solutions are circulated through the ice maker for cleaning. Only the water pump and compressor operate at this setting. See the “Ice Maker System” section.

ICE MAKER CARE

Cleaning

The ice making system and the air cooled condenser need to be cleaned regularly for the ice maker to operate at peak efficiency and to prevent premature failure of system components. See the “Ice Maker System” and the “Condenser” sections.

Exterior Surfaces

Wash the exterior enamel surfaces and gaskets with warm water and mild soap or detergent. Wipe and dry. Regular use of a good household appliance cleaner and wax will help protect the finish. Do not use abrasive cleaners on enamel surfaces as they may scratch the finish.

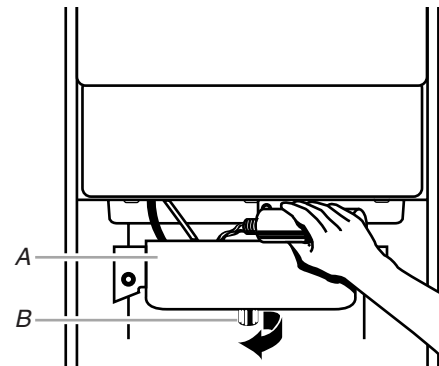
For products with a stainless steel exterior, use a clean sponge or soft cloth and a mild detergent in warm water. Do not use abrasive or harsh cleaners.

Ice Maker System

Minerals that are removed from water during the freezing cycle will eventually form a hard scaly deposit in the water system. Cleaning the system regularly helps remove the mineral scale buildup. How often you need to clean the system depends upon how hard your water is. With hard water of 15 to 20 grains/gal. (4 to 5 grains/liter), you may need to clean the system as often as every 6 months.

NOTE: Use one 16 oz (473 mL) bottle of approved ice maker cleaner. To order, call **1-800-442-9991** and ask for Part Number 8171307. In Canada, call **1-800-807-6777**.

- Push the selector switch to OFF.
- Wait 5 to 10 minutes for the ice to fall into the storage bin. Remove all ice from the storage bin.
- Unscrew the drain cap from the bottom of the water pan located inside the storage bin as shown. Allow the water to drain completely.
- Replace the drain cap securely on the water pan. If the drain cap is loose, water will empty from the water pan and you will have either thin ice or no ice.
- Read and follow all handling information on the cleaner bottle before completing the steps below. Use one 16 oz (473 mL) bottle of approved ice maker cleaner.
- Pour one bottle of solution into the water pan. Fill the bottle twice with tap water and pour it into the water pan.



A. Water pan
B. Drain cap

- Push the selector switch to CLEAN. (See “Using the Controls.”) The light will turn on, indicating that the cleaning cycle is in process. When the indicator light turns off (approximately 45 minutes), the cleaning cycle is complete. During the cleaning cycle, the system will both clean and rinse itself.
- After the cleaning cycle is complete, remove the drain cap from the water pan to see if any cleaning solution is left in the water pan. If cleaning solution drains from the water pan, you should run the clean cycle again. Be sure to replace the drain cap securely on the water pan. If the drain cap is loose, water will empty from the water pan and you will have either thin ice or no ice.

NOTE: Severe scale buildup may require repeated cleaning with a fresh quantity of cleaning solution.

- Push the selector switch to ON to resume ice production.

Condenser

A dirty or clogged condenser:

- Prevents proper airflow.
- Reduces ice making capacity.
- Causes higher than recommended operating temperatures which may lead to component failure.

⚠ WARNING



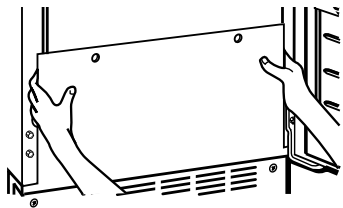
Electrical Shock Hazard

Disconnect power before cleaning.

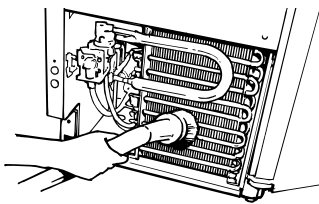
Replace all parts and panels before operating.

Failure to do so can result in death or electrical shock.

1. Unplug ice maker or disconnect power.
2. Remove the two screws in the lower access panel and the two screws from the base grille area of the front panel support. Pull forward to remove the lower access panel.
3. Pull the bottom forward and then pull down to remove the lower access panel.



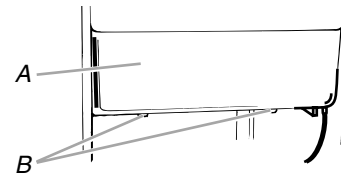
4. Remove dirt and lint from the condenser fins and the unit compartment with a brush attachment on a vacuum cleaner.



5. Replace the lower access panel using the four screws.
6. Plug in ice maker or reconnect power.

Interior Components

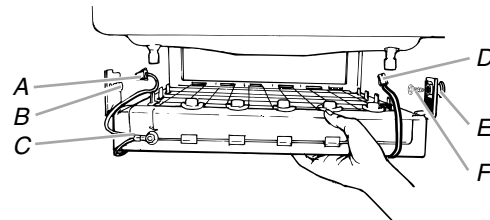
1. Unplug ice maker or disconnect power.
2. Open the storage bin door and remove any ice that is in the bin.
3. Remove the drain cap from the water pan and drain thoroughly. Replace the drain cap securely on the water pan. If the drain cap is loose, water will empty from the water pan, and you will have either thin ice or no ice.
4. Remove the two screws that hold the cutter grid cover in place. Remove the cutter grid cover.
5. Unplug the wiring harness from the left side of the cutter grid.



A. Cutter grid cover
B. Screws

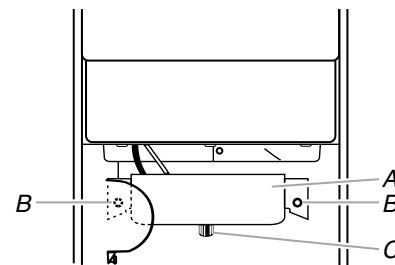
6. Unplug the ice level sensor from the right side of the cutter grid. Pull the ice level sensor down and forward away from the cutter grid.
7. Remove the right-hand and left-hand screws. Lift the cutter grid up and out.

NOTE: Make sure the plastic spacer from the right-hand side of the cutter grid bracket stays with the cutter grid.



A. Cutter grid harness
B. Screw
C. Cutter grid
D. Ice level sensor harness
E. Plastic spacer
F. Screw

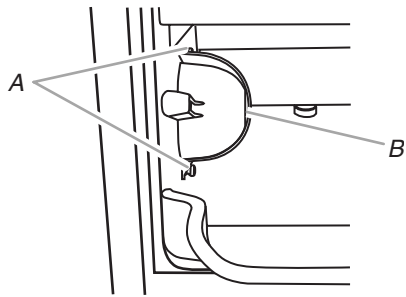
8. Remove the two thumb screws that hold the water pan in place. Push down with one hand on the front of the pan while pulling forward on the bottom back side.



A. Water pan
B. Water pan thumb screws
C. Drain cap

9. Remove, clean and replace the ice scoop and ice scoop holder.
 - After removing the ice scoop, remove the holder by removing the two thumb screws.
 - Wash the ice scoop holder along with the other interior components using the following instructions.

- Replace the ice scoop holder by replacing the thumb screws.



A. Thumb screw
B. Ice scoop holder

10. Wash the interior components (cutter grid, exterior of hoses, and water pan) and the storage bin, door gasket, ice scoop, and ice scoop holder with mild soap or detergent and warm water. Rinse in clean water. Then clean the same parts with a solution of 1 tbs (15 mL) of household bleach in 1 gal. (3.8 L) warm water. Rinse again thoroughly in clean water.

NOTE: Do not remove hoses. Do not wash plastic parts in dishwasher. They cannot withstand temperatures above 145°F (63°C).

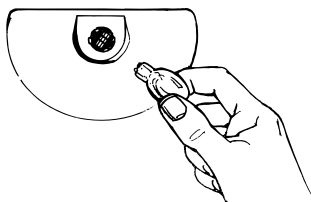
11. Replace water pan by pushing back on the bottom with one hand while pushing up and back on the top. Secure the water pan by replacing both screws.
12. Check the following:
 - Drain cap from the water pan is securely in place. If the drain cap is loose, water will empty from the water pan, and you will have either thin ice or no ice.
 - Hose from water pan is inserted into storage bin drain opening.
13. Slide the cutter grid back into place and secure it by replacing the right-hand screw and plastic spacer. Then tighten the left-hand screw. Reconnect the cutter grid harness and the ice level sensor harness.
14. Replace the cutter grid cover and the two screws.
15. Plug in ice maker or reconnect power.

Changing the Light Bulb

The ice maker has a light bulb in the top of the storage bin.

To replace the light bulb:

1. Unplug ice maker or disconnect power.
2. Open the bin door.
3. Remove the two screws that hold the cutter grid cover in place. Reach behind the control panel and pull the light bulb down from the ceiling.
4. Replace with a 12-volt wedge base-type bulb (automotive #917). Locate the light bulb receptacle in the ceiling behind the control panel. Align the flat edge of the light bulb with the receptacle and snap the bulb into place.



5. Replace the cutter grid cover with two screws.
6. Plug in ice maker or reconnect power.

Vacation and Moving Care

⚠ WARNING



Electrical Shock Hazard

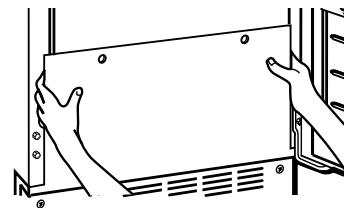
Disconnect power before servicing.

Replace all parts and panels before operating.

Failure to do so can result in death or electrical shock.

To shut down the ice maker:

1. Unplug ice maker or disconnect power.
2. Remove all ice from storage bin.
3. Shut off the water supply.
4. Remove the two screws in the lower access panel and the two screws from the base grille area of the front panel support. Pull forward to remove the lower access panel.



5. Disconnect the inlet and outlet lines to water valve. Allow these lines to drain and then reconnect to the valve.
6. Replace lower access panel and screws.
7. Drain water from water pan by removing the drain cap.
8. If the room temperature will drop below 32°F (0°C), remove water from the drain line.

For ice makers with a drain pump installed:

- Plug in ice maker or reconnect power.
 - Turn ice maker off and remove all remaining ice from ice bin.
 - Pour 1 qt (0.95 L) of water into the ice bin near the drain and let the unit stand for approximately 5 minutes. This will allow the water in the bin to drain into the drain pump so that the pump will remove the remaining water from the ice bin and the drain pump.
 - Unplug ice maker or disconnect power.
9. Before using again, clean the ice maker and storage bin.
 10. Plug into a grounded 3 prong outlet.

NOTE: All components of the ice maker are permanently lubricated at the factory. They should not require any additional oiling throughout the normal life of the machine.

TROUBLESHOOTING

Try the solutions suggested here first in order to avoid the cost of an unnecessary service call.

Ice Maker Operation

Your ice maker will not operate

- **Is the control set to ON?** Be sure that the control is set to ON.
- **Is the power cord plugged in?** Plug into a grounded 3 prong outlet.
- **Has a household fuse blown, or has a circuit breaker tripped?** Replace the fuse or reset the circuit breaker.
- **Is the room temperature cooler than normal?** Room temperature must be above 55°F (13°C). Otherwise, bin thermostat may sense cold room temperature and shut off even though the bin is not full of ice. Also, unit may not restart once it does shut off.
- **Does the red light come on when the Clean button is pushed?** The ice maker is receiving power but may need cleaning. See “Cleaning.”
- **Does the ice maker have a drain pump?** If there was a large amount of water added to the ice maker, wait a few minutes for the drain pump to clear. If there is still water in the bin, check to see whether the drain hose is kinked.

Ice maker seems noisy

- **Is water being circulated through the ice maker?** This is normal operation. Water is added once per ice-making cycle.
- **Is the water in the reservoir overflowing?** This is normal. This overflow helps to purge minerals that were removed from the water during the ice making process.
- **Is there a “whooshing” sound?** Check the following things:
 - Make sure that the water supply is hooked up and turned on.
 - Make sure that the drain cap is tight.
- **Is there ice between the evaporator plate and the cutting grid?** Check to be sure that the ice maker is level. See “Leveling.” If the ice maker is level, and the problem persists, run a cleaning cycle. See “Cleaning.”

Ice Production

Ice maker runs but produces no ice

- **Is the control set to ON?** Be sure that the control is set to ON.
- **Is the water supply connected?** Make sure the water supply is properly connected and turned on.
- **Is the drain cap securely in place?** If the drain cap is loose, water will empty from the water pan, and you will have either thin ice or no ice. Tighten the drain cap.
- **Is there debris in the drain tube?** Clean the drain tube.
- **Is there a kink in the drain line?** Be sure that there are no kinks in the line.
- **Is the clean light flashing on and off continually?** Call for service.

Ice maker runs but produces very little ice

- **Is the room temperature hotter than normal?** Room temperatures of more than 90°F (32°C) will normally reduce ice production.
- **Is the condenser dirty?** Dirt or lint may be blocking the airflow through the condenser. See “Cleaning.”
- **Is there scale buildup in the ice maker?** If there is white scale buildup in the ice maker’s water or freezing system, you should clean the ice maker. See “Cleaning.”
- **Is the drain cap securely in place?** If the drain cap is loose, water will empty from the water pan, and you will have either thin ice or no ice. Tighten the drain cap if it is loose.

Grid is not cutting ice sheets

- **Is the cutter grid securely in place?** Unplug ice maker or disconnect power. Remove the cutter grid cover and check the cutter grid harness plug to make sure the connection is secure. See “Cleaning” for instructions on cutter grid removal.

Ice Quality

Off taste, odor or gray color in the ice

- **Is there unusually high mineral content in the water supply?** The water may need to be filtered or treated.
- **Is there mineral scale buildup?** Clean your ice maker. See “Cleaning.”
- **Are there food items stored in the ice bin?** Do not store any foods in the ice bin.
- **Were all the packaging materials removed?** Make sure that all packaging materials were removed at the time of installation.

Thin, soft or clumps of ice

- **Is there unusually high mineral content in the water supply?** The water may need to be filtered or treated.
- **Is there mineral scale buildup?** Clean your ice maker. See “Cleaning.”
- **Are there clumps of ice in the bin?** If ice is not used regularly it will melt and form clumps. Break the clumps with the ice scoop provided.

Plumbing Problems

- **Is the drain hose aligned over the drain?** Move the ice maker to align the drain. See “Connect Water Supply.”

NOTE: Service technicians can not repair plumbing problems outside of the ice maker. Call a licensed, qualified plumber.

ASSISTANCE OR SERVICE

Before calling for assistance or service, please check "Troubleshooting." It may save you the cost of a service call. If you still need help, follow the instructions below.

When calling, please know the purchase date and the complete model and serial number of your appliance. This information will help us to better respond to your request.

If you need replacement parts

If you need to order replacement parts, we recommend that you only use factory specified parts. Factory specified parts will fit right and work right because they are made with the same precision used to build every new KITCHENAID® appliance.

To locate factory specified parts in your area, call us or your nearest designated service center.

In the U.S.A.

Call the KitchenAid Customer eXperience Center toll free: **1-800-422-1230**.

Our consultants provide assistance with:

- Features and specifications on our full line of appliances.
- Installation information.
- Use and maintenance procedures.
- Accessory and repair parts sales.
- Specialized customer assistance (Spanish speaking, hearing impaired, limited vision, etc.).
- Referrals to local dealers, repair parts distributors, and service companies. KitchenAid designated service technicians are trained to fulfill the product warranty and provide after-warranty service, anywhere in the United States.

To locate the KitchenAid designated service company in your area, you can also look in your telephone directory Yellow Pages.

For further assistance

If you need further assistance, you can write to KitchenAid with any questions or concerns at:

KitchenAid Brand Home Appliances
Customer eXperience Center
553 Benson Road
Benton Harbor, MI 49022-2692

Please include a daytime phone number in your correspondence.

In Canada

Call the KitchenAid Canada Customer Interaction Centre toll free: **1-800-461-5681** 8:30 a.m. - 5:30 p.m. (EST).

Our consultants provide assistance with:

- Features and specifications on our full line of appliances.
- Referrals to local dealers.

For service in Canada

Call **1-800-807-6777**. KitchenAid Canada designated service technicians are trained to fulfill the product warranty and provide after-warranty service, anywhere in Canada.

For further assistance

If you need further assistance, you can write to KitchenAid Canada with any questions or concerns at:

Customer Interaction Centre
KitchenAid Canada
1901 Minnesota Court
Mississauga, Ontario L5N 3A7

Please include a daytime phone number in your correspondence.

KITCHENAID[®] ICE MAKER WARRANTY

ONE-YEAR FULL WARRANTY ON ICE MAKER

For one year from the date of purchase when this product is operated in a residential or light commercial setting, and is maintained according to the instructions furnished with the product, KitchenAid or KitchenAid Canada will pay for factory specified parts and repair labor costs to correct defects in materials or workmanship. Service must be provided by a KitchenAid designated service company.

SECOND THROUGH FIFTH YEAR FULL WARRANTY SEALED REFRIGERATION SYSTEM PARTS AS LISTED

In second through fifth years from the date of purchase, KitchenAid or KitchenAid Canada will pay for replacement parts and repair labor costs to correct defects in materials or workmanship in the sealed refrigeration system. These parts are compressor, evaporator, condenser, dryer/strainer, and connecting tubing. Service must be performed by a KitchenAid designated service company.

KitchenAid or KitchenAid Canada will not pay for:

1. Service calls to correct the installation of your ice maker, to instruct you how to use your ice maker, to replace house fuses or correct house wiring or plumbing, to replace light bulbs.
 2. Repairs when your ice maker is used in locations where usage exceeds ice making capabilities of unit (about 50 pounds in 24 hours). This ice maker is intended only for residential and/or light commercial use that does not exceed these capabilities.
 3. Damage resulting from accident, alteration, misuse, abuse, fire, flood, acts of God, improper installation, or installation not in accordance with local electrical or plumbing codes, or use of product not approved by KitchenAid or KitchenAid Canada.
 4. Replacement parts or repair labor costs for units operated outside the United States and Canada.
 5. Pickup and delivery. This product is designed to be repaired in the home.
 6. Repairs to parts or systems resulting from unauthorized modifications made to the appliance.
 7. In Canada, travel or transportation expenses for customers who reside in remote areas.
-

KITCHENAID OR KITCHENAID CANADA SHALL NOT BE LIABLE FOR INCIDENTAL OR CONSEQUENTIAL DAMAGES.

Some states and provinces do not allow the exclusion or limitation of incidental or consequential damages, so this exclusion or limitation may not apply to you. This warranty gives you specific legal rights, and you may also have other rights which vary from state to state, province to province.

Outside the 50 United States and Canada, this warranty does not apply. Contact your local KitchenAid dealer to determine if another warranty applies.

If you need service, first see the "Troubleshooting" section of this book. After checking "Troubleshooting," additional help can be found by checking the "Assistance or Service" section or by calling the KitchenAid Customer eXperience Center, **1-800-422-1230** (toll-free), from anywhere in the U.S.A. For service in Canada, call **1-800-807-6777**. 11/04

Keep this book and your sales slip together for future reference. You must provide proof of purchase or installation date for in-warranty service.

Write down the following information about your ice maker to better help you obtain assistance or service if you ever need it. You will need to know your complete model number and serial number. You can find this information on the model and serial number label, located on the inside left wall of the ice maker.

Dealer name _____

Address _____

Phone number _____

Model number _____

Serial number _____

Purchase date _____

SÉCURITÉ DE LA MACHINE À GLAÇONS

Votre sécurité et celle des autres est très importante.

Nous donnons de nombreux messages de sécurité importants dans ce manuel et sur votre appareil ménager. Assurez-vous de toujours lire tous les messages de sécurité et de vous y conformer.



Voici le symbole d'alerte de sécurité.

Ce symbole d'alerte de sécurité vous signale les dangers potentiels de décès et de blessures graves à vous et à d'autres.

Tous les messages de sécurité suivront le symbole d'alerte de sécurité et le mot "DANGER" ou "AVERTISSEMENT". Ces mots signifient :

⚠ DANGER

Risque possible de décès ou de blessure grave si vous ne suivez pas immédiatement les instructions.

⚠ AVERTISSEMENT

Risque possible de décès ou de blessure grave si vous ne suivez pas les instructions.

Tous les messages de sécurité vous diront quel est le danger potentiel et vous disent comment réduire le risque de blessure et ce qui peut se produire en cas de non-respect des instructions.

IMPORTANTES INSTRUCTIONS DE SÉCURITÉ

AVERTISSEMENT : Pour réduire le risque d'incendie, de choc électrique ou de blessures lors de l'utilisation de la machine à glaçons, il convient d'observer certaines précautions élémentaires :

- Brancher sur une prise à 3 alvéoles reliée à la terre.
- Ne pas enlever la broche de liaison à la terre.
- Ne pas utiliser un adaptateur.
- Ne pas utiliser un câble de rallonge.
- Utiliser deux ou plus de personnes pour déplacer et installer la machine à glaçons.
- Déconnecter la source de courant électrique avant le nettoyage.
- Déconnecter la source de courant électrique avant l'entretien.
- Replacer pièces et panneaux avant de faire la remise en marche.

CONSERVEZ CES INSTRUCTIONS

INSTRUCTIONS D'INSTALLATION

Déballage de la machine à glaçons

AVERTISSEMENT

Risque du poids excessif

Utiliser deux ou plus de personnes pour déplacer et installer la machine à glaçons.

Le non-respect de cette instruction peut causer une blessure au dos ou d'autre blessure.

Enlèvement des matériaux d'emballage

Enlever le ruban adhésif et la colle de la machine à glaçons avant de l'utiliser.

- Pour enlever ce qui reste du ruban adhésif ou de la colle, frotter la surface vivement avec le pouce. La colle ou l'adhésif qui reste peut être facilement enlevée par frottage avec les doigts et une petite quantité de savon liquide pour la vaisselle sur l'adhésif. Rincer à l'eau tiède et essuyer.
- Ne pas utiliser d'instruments acérés, d'alcool à friction, de liquides inflammables ou de nettoyants abrasifs pour enlever le ruban adhésif ou la colle. Ces produits peuvent endommager la surface de votre machine à glaçons.

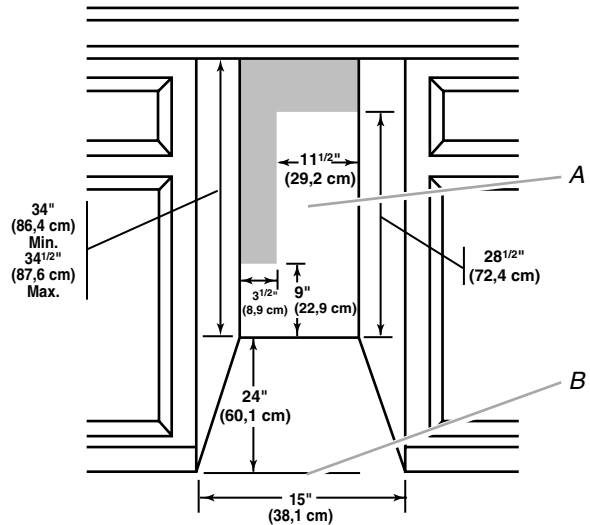
Nettoyage avant l'utilisation

Après avoir enlevé tous les matériaux d'emballage, nettoyer l'intérieur de la machine à glaçons avant de l'utiliser. Voir les instructions de nettoyage dans la section "Entretien de la machine à glaçons".

Exigences d'emplacement

- Pour assurer une bonne aération de votre appareil, l'avant doit être complètement dégagé. Les autres côtés et le dessus de l'appareil peuvent être dissimulés, mais l'installation doit permettre de tirer la machine à glaçons vers l'avant pour y faire les travaux d'entretien requis.
- Pour installer la machine à glaçons, il faut avoir un tuyau d'alimentation en eau froide de 1/4" (6,35 mm) de dia. ext. en cuivre doux avec un robinet et un système de vidange par gravité ou une pompe à condensat pour pousser l'eau vers un drain existant.
- Choisir un endroit bien aéré où la température est supérieure à 55°F (13°C) et inférieure à 100°F (38°C). Pour tirer le meilleur rendement de l'appareil, la température ambiante doit se situer entre 70°F (21°C) et 90°F (32°C). Cet appareil DOIT être installé à un endroit protégé contre les éléments, comme le vent, la pluie, les embruns ou les égouttures.
- Lorsque l'appareil est installé sous un comptoir, observer les dimensions d'ouverture recommandées. Placer les composants électriques et de plomberie dans la zone recommandée à l'illustration.

REMARQUE : Il ne faut pas écraser ni pincer le cordon d'alimentation électrique entre l'appareil et l'armoire.



A. Zone recommandée pour les composants électriques et de plomberie
B. Niveau du plancher

- Il est recommandé de choisir un emplacement où le plancher est uniforme. Il est important que la machine à glaçons soit d'aplomb pour bien fonctionner. Au besoin, il est possible de régler la hauteur de la machine à glaçons en changeant la position des pieds de nivellement. Voir la section "Nivellement".

Spécifications électriques

AVERTISSEMENT



Risque de choc électrique

Brancher sur une prise à 3 alvéoles reliée à la terre.

Ne pas enlever la broche de liaison à la terre.

Ne pas utiliser un adaptateur.

Ne pas utiliser un câble de rallonge.

Le non-respect de ces instructions peut causer un décès, un incendie ou un choc électrique.

Avant de pousser la machine à glaçons à sa place définitive, il faut s'assurer que le raccordement électrique a été bien fait.

Il faut un circuit d'alimentation électrique CA de 115 volts, 60 Hz, de seulement 15 ampères mis à la terre conformément aux instructions du Code national de l'électricité et des codes et règlements locaux.

Il est recommandé de réserver un circuit spécial à la machine à glaçons. Utiliser une boîte où l'alimentation ne peut pas être coupée à l'aide d'un interrupteur ou d'une chaînette.

Méthode de mise à la terre recommandée

Pour votre propre sécurité, cet appareil doit être mis à la terre. L'appareil comporte un cordon d'alimentation électrique à trois broches pour la mise à la terre. Pour minimiser les risques de choc électrique, le cordon d'alimentation électrique doit être branché sur une prise de courant murale mise à la terre correspondante à trois alvéoles où la mise à la terre a été faite conformément au Code national de l'électricité et aux codes et règlements locaux. S'il n'y a pas de prise de courant correspondante, il incombe au client de faire installer une prise de courant murale à trois alvéoles mise à la terre de façon appropriée par un électricien qualifié.

Spécifications de l'alimentation en eau

Une alimentation en eau froide avec une pression entre 30 et 120 lb/po² (207 - 827 kPa) est nécessaire pour faire fonctionner le distributeur d'eau et la machine à glaçons. Si vous avez des questions au sujet de la pression de votre eau, appeler un plombier qualifié agréé.

Alimentation en eau par osmose inverse

IMPORTANT : La pression de l'alimentation en eau entre le système d'osmose inverse et la valve d'arrivée d'eau du réfrigérateur doit être entre 30 et 120 lb/po² (207 - 827 kPa).

Si un système de purification de l'eau par osmose inverse est raccordé à votre alimentation en eau froide, la pression de l'eau au système doit être d'un minimum de 40 à 60 lb/po² (276 - 414 kPa).

Si la pression de l'eau au système d'osmose inverse est inférieure à 40 - 60 lb/po² (276 - 414 kPa) :

- Vérifier pour voir si le filtre du système d'osmose inverse est bloqué et le remplacer si nécessaire.
- Laisser le réservoir du système d'osmose inverse se remplir après une utilisation intense.

Si vous avez des questions au sujet de la pression de votre eau, appeler un plombier qualifié agréé.

Nivellement

Il est important que la machine à glaçons soit d'aplomb pour bien fonctionner. Selon l'endroit où vous installez la machine à glaçons, vous pourrez avoir à effectuer plusieurs ajustements pour la mettre d'aplomb. Vous pouvez également utiliser les pieds de nivellement pour baisser la hauteur de la machine à glaçons pour les installations sous comptoir.

Outils requis :

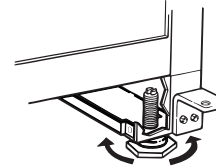
Rassembler les outils et pièces nécessaires avant de commencer l'installation.

- Niveau
- Clé à molette

REMARQUE : Il est plus facile d'ajuster les pieds de nivellement si on se fait aider par une autre personne.

1. Placer un niveau sur le dessus du produit pour voir si la machine à glaçons est d'aplomb d'avant en arrière et transversalement.
2. Pousser vers le haut sur la partie avant de la machine à glaçons pour repérer les vis de nivellement qui se trouvent sur le fond avant de la machine à glaçons.
3. Au moyen d'une clé à molette, modifier la hauteur des pieds comme suit :
 - Tourner le pied de nivellement vers la droite pour abaisser ce côté de la machine à glaçons.
 - Tourner le pied de nivellement vers la gauche pour soulever ce côté de la machine à glaçons.

REMARQUE : La machine à glaçons ne devrait pas osciller. Utiliser des cales pour accroître la stabilité au besoin.



4. Pousser vers le haut sur la partie arrière de la machine à glaçons pour repérer les pieds de nivellement qui se trouvent sur le fond arrière de la machine à glaçons.
5. Suivre les instructions de l'étape 4 pour modifier la hauteur des pieds.
6. Utiliser un niveau pour vérifier que la machine à glaçons est d'aplomb d'avant en arrière et transversalement. Si elle n'est pas d'aplomb, répéter les étapes 3 à 6. Si la machine est d'aplomb, passer à la section "Raccordement de la canalisation d'eau".

Raccordement de la canalisation d'eau

Lire complètement toutes les instructions avant de commencer.

IMPORTANT :

- L'installation de la plomberie doit être conforme au Code national de plomberie et respecter les codes locaux de plomberie.
- Utiliser un tuyau en cuivre et vérifier s'il y a des fuites.
- Installer les tuyaux en cuivre seulement là où les températures resteront au-dessus du point de congélation.

Outils requis :

Rassembler les outils et pièces nécessaires avant de commencer l'installation. Lire et suivre les instructions fournies avec les outils indiqués ici.

- Tournevis à lame plate
- Clés ouvertes de 7/16" et de 1/2" ou deux clés à molette
- Tourne-écrou de 1/4"
- Mèche perceuse de 1/4"
- Perceuse manuelle ou électrique convenablement mise à la terre

REMARQUE : Votre marchand de machine à glaçons a une trousse qui comprend robinet d'arrêt à étrier de 1/4" (6,35 mm), un raccord-union et tuyau en cuivre. Avant de faire un achat, s'assurer que le robinet d'arrêt à étrier respecte les codes locaux de plomberie. Ne pas utiliser de robinet d'arrêt à étrier perforant ou de 3/16" (4,76 mm) qui réduit le débit d'eau et qui se bouche plus facilement.

Raccordement du tuyau d'eau

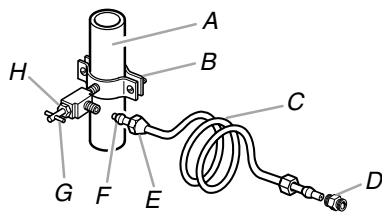
1. Couper l'alimentation principale en eau. Ouvrir le robinet le plus proche assez longtemps pour vider l'eau du tuyau.
2. Trouver un tuyau vertical d'alimentation en eau froide de 1/2" (12,70 mm) à 1 1/4" (3,18 cm) à proximité de la machine à glaçons.

REMARQUE : Un conduit horizontal fonctionnera, mais on doit observer le procédé suivant : Percer par le dessus de la canalisation et non pas par le dessous. Ainsi, l'eau ne risquera pas d'arroser la perceuse. Ceci empêche également les sédiments qu'on trouve normalement dans l'eau de s'accumuler dans le robinet d'arrêt.

3. À l'aide d'une perceuse électrique reliée à la terre, percer un trou de ¼" (6,35 mm) dans le tuyau d'alimentation en eau froide que vous avez choisi.
4. Fixer le robinet d'arrêt sur le tuyau d'alimentation en eau à l'aide d'une bride pour tuyau. Il faut s'assurer que l'extrémité de sortie est bien insérée dans le trou de ¼" (6,35 mm) percé dans le tuyau en eau et que la rondelle est placée sous la bride du tuyau. Serrer l'écrou de garniture. Serrer soigneusement et uniformément les vis fixant la bride de tuyau sur le tuyau afin que la rondelle forme un scellement étanche. Ne pas serrer la bride du tuyau à l'excès sans quoi le tuyau d'alimentation en eau froide pourrait être écrasé s'il s'agit d'un tuyau en cuivre mou. Ne pas utiliser un robinet d'arrêt à étrier perforant ou de 3/16" (4,76 mm) qui pourrait réduire le débit d'eau et qui se bouche plus facilement.

5. On est maintenant prêt à connecter le tuyau en cuivre. Utiliser un tuyau en cuivre mou de ¼" (6,35 mm) de diamètre extérieur pour l'alimentation en eau froide.

- S'assurer d'avoir la longueur nécessaire pour le raccordement. Il faut s'assurer que les deux extrémités du tuyau en cuivre sont bien coupées à angle droit.
- Installer le manchon et l'écrou à compression sur le tuyau en cuivre (voir l'illustration). Insérer l'extrémité du tuyau aussi profondément que possible dans l'extrémité de sortie et à l'équerre. Visser l'écrou à compression sur l'extrémité de la sortie à l'aide d'une clé réglable. Ne pas serrer à l'excès.



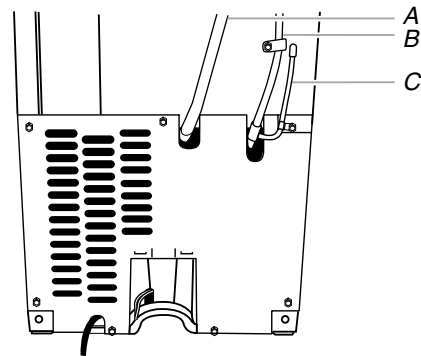
- | | |
|---------------------------------------|--------------------------|
| A. Tuyau d'alimentation en eau froide | E. Écrou de compression |
| B. Bride | F. Manchon à compression |
| C. Tuyau en cuivre | G. Robinet d'arrêt |
| D. Raccord (acheté) | H. Écrou de la garniture |

6. Placer l'extrémité libre du tuyau dans un contenant ou évier et rétablir l'alimentation principale en eau pour nettoyer le tuyau jusqu'à ce que l'eau en sorte claire. Fermer le robinet d'arrêt sur le tuyau d'alimentation en eau.

REMARQUE : Il faut toujours vidanger le tuyau d'alimentation en eau avant de faire le raccordement final sur l'entrée du robinet pour prévenir tout mauvais fonctionnement possible du robinet.

7. Courber le tuyau de cuivre de façon à faire un raccordement sur l'entrée du robinet qui se trouve à l'arrière de la machine à glaçons (voir l'illustration).

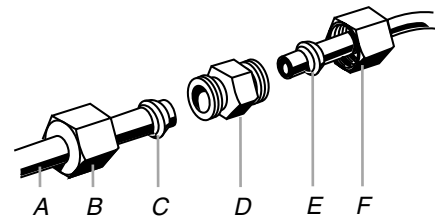
VUE ARRIÈRE



- A. Tuyau de vidange (modèles avec pompe de vidange seulement)
 B. Tuyau de ventilation (modèles avec pompe de vidange seulement)
 C. Tuyau d'alimentation en eau

8. Visser l'écrou dans le raccord à l'extrémité du tuyau en cuivre. Serrer l'écrou manuellement. Ensuite le serrer deux tours de plus avec une clé. Ne pas serrer à l'excès.

REMARQUE : Pour empêcher les bruits de tuyau, il faut s'assurer que les tuyaux en cuivre ne touchent pas le parois de la machine à glaçons ni d'autres composants intérieurs.



- | | |
|--|---------------------|
| A. Canalisation jusqu'à la machine à glaçons | D. Raccord (acheté) |
| B. Écrou (acheté) | E. Bague (achetée) |
| C. Bague (achetée) | F. Écrou (acheté) |

9. OUVRIER le robinet d'arrêt.

10. Vérifier s'il y a des fuites. Serrer tous les raccords (y compris les raccordements de la valve) ou les écrous qui coulent.

Raccordement au conduit d'évacuation

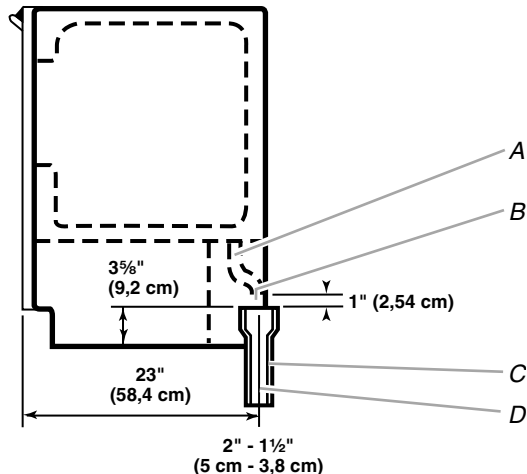
Vidange par gravité

Il faut raccorder le tuyau de vidange à votre drain de vidange conformément aux codes et règlements locaux et provinciaux. Si la machine à glaçons est fournie avec un drain de vidange par gravité, il faut suivre les instructions ci-dessous lors de l'installation des tuyaux de vidange. Ceci empêchera que l'eau se refoule dans le bac d'entreposage de la machine à glaçons et peut-être même sur le plancher et cause des dommages.

- Les tuyaux de vidange doivent avoir au moins 5/8" (15,88 mm) de diamètre intérieur.
- Les tuyaux de vidange doivent avoir une pente de 1" pour chaque 48" (2,54 cm pour chaque 122 cm) de longueur ou une pente de ¼" pour chaque 12" (6,35 mm/30,48 cm) et ne comporter aucun point bas où l'eau pourrait stagner.
- Les drains de vidange de plancher doivent être suffisamment grands pour recevoir l'eau de vidange provenant de toutes sources.

- L'installation idéale a un tuyau de rejet à l'égout avec un réducteur de vidange PVC de 1½" (3,81 cm) à 2" (5,08 cm) installé directement sous la sortie du tuyau de vidange comme à l'illustration. Il faut maintenir un écart anti-retour de 1" (2,54 cm) entre le tuyau de la pompe de vidange et le tuyau de rejet à l'égout.
- Il sera peut-être souhaitable d'isoler le tuyau de vidange complètement jusqu'à l'entrée du drain de vidange.

VUE LATÉRALE



- A. Tuyau de vidange
- B. Écart anti-retour de 1" (2,54 cm)
- C. Réducteur du drain de vidange PVC
- D. Le centre du drain devrait se trouver à 23" (58,4 cm) du devant de la porte (avec ou sans le panneau de ¾" (1,91 cm) sur la porte). Le drain doit aussi être centré de gauche à droite (7 5/16" [18,56 cm] de chaque côté de la machine à glaçons).

Système avec pompe de vidange (sur certains modèles)

Raccorder le tuyau de la pompe de vidange (fournie avec la machine) au drain de vidange conformément au Code international de plomberie et à tous les codes et règlements locaux ou provinciaux.

REMARQUE : Si le tuyau de vidange devient tordu et l'eau ne peut pas se vidanger, votre machine à glaçons ne fonctionnera pas.

Raccordement du conduit d'évacuation

Après avoir vérifié que le système de vidange est adéquat, il faut procéder tel que décrit ci-dessous pour bien mettre la machine à glaçons en place :

⚠ AVERTISSEMENT



Risque de choc électrique

- Brancher sur une prise à 3 alvéoles reliée à la terre.
- Ne pas enlever la broche de liaison à la terre.
- Ne pas utiliser un adaptateur.
- Ne pas utiliser un câble de rallonge.
- Le non-respect de ces instructions peut causer un décès, un incendie ou un choc électrique.

1. Brancher l'appareil sur une prise à 3 alvéoles reliée à la terre.

⚠ AVERTISSEMENT

Risque du poids excessif

- Utiliser deux ou plus de personnes pour déplacer et installer la machine à glaçons.
- Le non-respect de cette instruction peut causer une blessure au dos ou d'autre blessure.

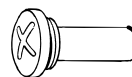
2. **Style 1** – Pour un système de vidange par gravité, pousser la machine à glaçons en position pour que le conduit de vidange soit positionné au-dessus du réducteur de vidange en PVC. Voir "Vidange par gravité" précédemment dans cette section. **Style 2** – Pour le système avec pompe de vidange, connecter le tuyau de sortie de la pompe au drain. Voir "Système avec pompe de vidange" précédemment dans cette section.
3. Vérifier à nouveau la machine à glaçons pour s'assurer qu'elle est bien d'aplomb. Voir la section "Réglage de l'aplomb".
4. Si le code sanitaire local l'exige, sceller la machine sur le plancher à l'aide d'un produit de calfeutrage approuvé une fois que les raccords d'eau et d'électricité ont été faits.

Porte de la machine à glaçons

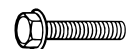
OUTILLAGE NÉCESSAIRE :

Rassembler les outils et pièces nécessaires avant de commencer l'installation.

- Clé de 5/16"
- Clé de ¼"
- Couteau à mastic plat
- Tournevis Phillips



Axe



Vis de charnière à tête hexagonale 5/16"



Vis de poignée



Vis d'embout

Dépose de la porte

1. Débrancher la machine à glaçons ou déconnecter la source de courant électrique.
2. Ôter les vis de la poignée et la poignée (sur certains modèles). Garder les pièces ensemble et les mettre de côté.
3. Retirer l'axe de la charnière supérieure.
4. Retirer la porte des charnières et revisser l'axe supérieur dans la charnière supérieure.
5. Inverser les embouts de porte comme suit :
 - Ôter les deux vis et embouts (supérieurs et inférieurs).
 - Déplacer l'embout supérieur en diagonale sur le côté inférieur opposé, avec le côté droit face à l'avant de la machine à glaçons.
 - Déplacer l'embout inférieur en diagonale sur le côté supérieur opposé, avec le côté droit face à l'avant de la machine à glaçons.
6. Mettre la porte de côté.

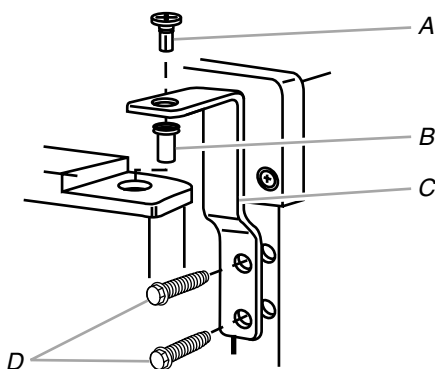
Inversion des charnières

1. Dévisser et enlever la charnière supérieure. Remettre les vis dans les trous de charnière vides.
2. Ôter les vis du bas du côté opposé de la caisse de la machine à glaçons. Inverser la charnière supérieure de telle sorte que l'axe pointe vers le haut. Placer la charnière du côté opposé inférieur de la machine à glaçons et serrer les vis.
3. Enlever la douille de plastique de l'axe de la charnière de la "vieille" charnière inférieure et la replacer sur la nouvelle charnière inférieure.
4. Ôter les vis de la "vieille" charnière inférieure et la charnière. Remettre les vis dans les trous de charnière vides.
5. Ôter les vis du côté supérieur opposé de la caisse de la machine à glaçons. Inverser la charnière de telle sorte que l'axe pointe vers le bas. Placer la charnière du côté opposé supérieur de la machine à glaçons et serrer les vis.
6. Ôter l'axe de la charnière supérieure.

Réinstallation de la porte

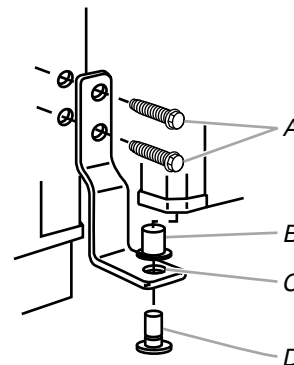
1. Placer la douille de plastique de la charnière dans le trou de la charnière supérieure sur la porte. Aligner la porte avec le trou de la charnière supérieure et réinstaller l'axe supérieur.
2. Réinstaller la poignée et les vis de la poignée.

Charnière supérieure



A. Axe de la charnière
B. Douille de l'axe de la charnière
C. Charnière
D. Vis de charnière à tête hexagonale

Charnière inférieure



A. Vis de charnière à tête hexagonale
B. Douille de l'axe de la charnière
C. Charnière
D. Axe de la charnière

Inversion du loquet de porte

1. Ôter les bouchons de trous du côté opposé de la porte et les conserver.
2. Ôter les vis du loquet de porte magnétique et les réinstaller du côté opposé de la porte.
3. Pousser les bouchons de trous en place du côté opposé de la porte.
4. Brancher la machine à glaçons ou reconnecter la source de courant électrique.

Sons normaux

Il est possible que votre nouvelle machine à glaçons émette des bruits qui ne vous sont pas familiers. Comme ces bruits sont nouveaux, ils peuvent vous inquiéter. La plupart de ces nouveaux bruits sont normaux. Des surfaces dures comme le plancher, les murs et les armoires peuvent faire paraître les bruits plus forts qu'en réalité. Les descriptions suivantes indiquent les genres de bruits qui peuvent être nouveaux pour vous et leur cause.

- Vous entendrez un bourdonnement lorsque la valve d'eau s'ouvre pour remplir le réservoir d'eau pour chaque programme.
- Des vibrations sonores peuvent provenir de l'écoulement du réfrigérant, de la canalisation d'eau ou d'articles placés sur la machine à glaçons.
- Le compresseur à haute efficacité peut produire un son aigu ou de pulsation.
- L'eau coulant sur la plaque d'évaporation peut produire un son d'éclaboussement.
- L'eau coulant de la plaque d'évaporation au réservoir d'eau peut produire un son d'éclaboussement.
- À la fin de chaque programme, vous pouvez entendre un gargouillement attribuable au réfrigérant qui circule dans votre machine à glaçons.
- Vous pouvez entendre de l'air qui est transmis au condenseur par le ventilateur du condenseur.
- Au cours du programme de récolte, vous pouvez entendre un "bruit sourd" lorsque la plaque de glace glisse de l'évaporateur sur la grille de coupe.
- Lors de la mise en marche initiale de la machine à glaçons, il est possible que vous entendiez l'eau couler continuellement. La machine à glaçons est programmée pour effectuer un programme de rinçage avant de commencer à fabriquer de la glace.

UTILISATION DE LA MACHINE À GLAÇONS

Fonctionnement de la machine à glaçons

Lors de la mise en marche initiale de la machine à glaçons, le bac d'eau se remplira et le système se rincera avant de commencer à fabriquer de la glace. Le rinçage prend environ cinq minutes.

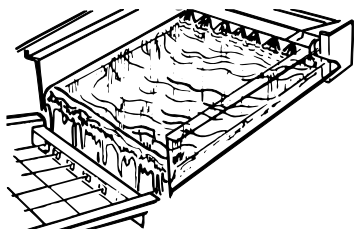
Dans les conditions de fonctionnement normales, la machine à glaçons se mettra en marche à des températures pré-réglées. Le détecteur de niveau de glace dans le bac à glaçons contrôlera les niveaux de glace.

IMPORTANT :

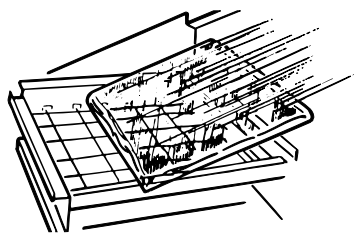
- Si l'alimentation en eau à la machine à glaçons est fermée, s'assurer que la commande de la machine à glaçons est à OFF.
- La machine à glaçons est conçue pour fabriquer de la glace transparente de la majorité des sources d'eau sur une base quotidienne. Si les résultats sont insatisfaisants, il faudra peut-être filtrer ou traiter l'eau.

Fabrication de la glace

1. L'eau circule constamment sur un plateau de congélation. Tandis que l'eau se congèle, les minéraux qu'elle contient sont expulsés. Il en résulte une plaque de glace transparente, à faible teneur en minéraux.

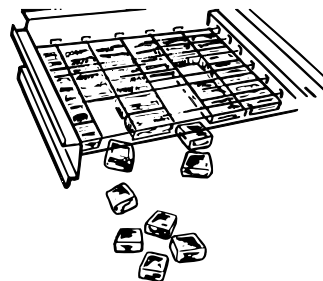


2. Une fois qu'elle a atteint l'épaisseur désirée, la plaque de glace se dégage et glisse dans une grille de coupe, où elle est taillée en glaçons.



3. L'eau contenant les déchets minéraux est évacuée après chaque programme de congélation.
4. De l'eau fraîche s'infiltrera de nouveau dans la machine en vue du prochain programme de fabrication de glaçons.

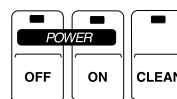
5. Les glaçons tombent dans le bac à glaçons. La machine à glaçons s'arrête automatiquement dès que le bac est plein, et elle se remet en marche lorsqu'il faut plus de glaçons. Le bac à glaçons n'est pas réfrigéré et la glace fondra un peu. Le degré de fonte dépend de la température de la pièce.



REMARQUE : Selon les variations de températures de la pièce et de l'eau, la quantité de glace produite et entreposée variera. Ceci signifie que les températures de fonctionnement plus élevées donnent une production de glace réduite.

Utilisation des commandes

1. Pour mettre en marche le programme normal de fabrication de glaçons, choisir ON.
2. Pour arrêter la machine à glaçons, choisir OFF.



REMARQUE : Le réglage CLEAN est utilisé lorsqu'on fait circuler des solutions dans la machine à glaçons pour le nettoyage. Seuls la pompe à eau et le compresseur fonctionnent à ce réglage. Voir la section "Nettoyage".

ENTRETIEN DE LA MACHINE À GLAÇONS

Nettoyage

Inspecter et nettoyer périodiquement la machine à glaçons pour qu'elle fonctionne toujours à son efficacité maximum et pour prévenir toute panne prématurée de ses composants. Voir la section "Nettoyage du système de la machine à glaçons" et "Condenseur".

Surfaces extérieures

Laver les surfaces extérieures en émail et les joints étanches avec de l'eau chaude et un savon doux ou un détergent. Essuyer et sécher. L'utilisation régulière d'un bon produit de nettoyage et de cire domestique aidera à protéger la finition. Ne pas utiliser de produits de nettoyage abrasifs sur les surfaces émaillées pour ne pas érafler la finition.

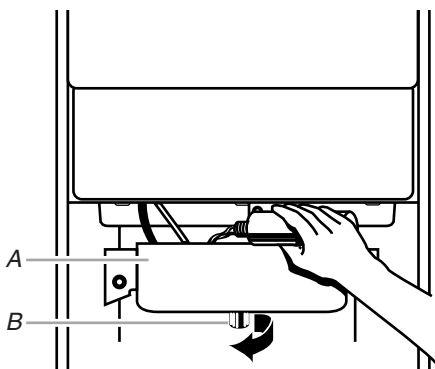
Pour les produits avec surface extérieure en acier inoxydable, utiliser une éponge ou un linge propre et un détergent doux avec de l'eau chaude. Ne pas utiliser de produits de nettoyage abrasifs ou rudes.

Nettoyage du système de la machine à glaçons

Les minéraux rejetés par la circulation de l'eau pendant la congélation formeront éventuellement un dépôt dur dans le système. Nettoyer périodiquement le système de formation des glaçons aide à enlever les dépôts accumulés de minéraux. La fréquence des nettoyages sera fonction de la dureté de l'eau. Lorsque l'eau est dure (15 à 20 grains/gal. [4 à 5 grains/litre]), vous devrez faire des nettoyages probablement à tous les six mois.

REMARQUE : Utiliser une bouteille de 16 oz (473 mL) produit de nettoyage approuvé pour la machine à glaçons. Pour le commander, composer le **1-800-442-9991** et demander le numéro de pièce 8171307. Au Canada, composer le **1-800-807-6777**.

1. Placer le sélecteur en position OFF.
2. Attendre de 5 à 10 minutes que la glace tombe dans le bac d'entreposage. Retirer toute la glace du bac d'entreposage.
3. Dévisser le capuchon de vidange du bas du bac à eau situé à l'intérieur du bac d'entreposage. Laisser l'eau se vidanger complètement.
4. Réinstaller le capuchon de vidange solidement sur le bac à eau. Si le capuchon de vidange est desserré, l'eau s'écoulera du bac à eau et la glace sera mince ou il n'y aura pas de glace.
5. Lire et suivre toutes les instructions apparaissant sur la bouteille avant de suivre les étapes suivantes. Utiliser une bouteille de 16 oz (473 mL) produit de nettoyage approuvé pour la machine à glaçons.
6. Verser une bouteille de cette solution dans le bac à eau. Remplir la bouteille à deux reprises avec de l'eau du robinet et verser le contenu dans le bac à eau.



A. Bac à eau
B. Capuchon de vidange

7. Placer le sélecteur en position CLEAN (nettoyage). (Voir "Utilisation des commandes".) Le voyant s'allume pour indiquer que le programme de nettoyage est en cours. Lorsque le voyant indicateur s'éteint (après 45 minutes environ), le cycle de nettoyage est terminé. Pendant le cycle de nettoyage, le système se nettoie et se rince.
8. Lorsque le programme de nettoyage est terminé, retirer le capuchon de vidange du bac à eau pour voir s'il reste encore un résidu de solution de nettoyage dans le bac à eau. Si la solution de nettoyage se vidange du bac à eau, recommencer le cycle de nettoyage. Veiller à réinstaller le capuchon de vidange solidement sur le bac à eau. Si le capuchon de vidange est desserré, l'eau s'écoulera du bac à eau et la glace sera mince ou il n'y aura pas de glace.

REMARQUE : Les accumulations importantes de calcaire pourraient nécessiter des nettoyages répétés avec une quantité fraîche de solution de nettoyage.

9. Remettre le sélecteur en position ON pour recommencer la production de glaçons.

Condenseur

Un condenseur sale ou bouché :

- Empêche l'air de bien circuler.
- Réduit la capacité de production des glaçons.
- Entraîne des températures d'utilisation supérieures à celles recommandées, ce qui pourrait entraîner des pannes.

⚠ AVERTISSEMENT



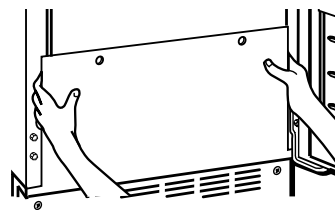
Risque de choc électrique

Déconnecter la source de courant électrique avant le nettoyage.

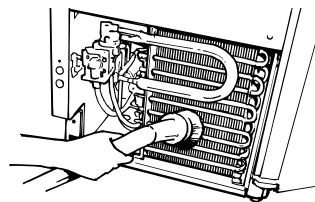
Replacer pièces et panneaux avant de faire la remise en marche.

Le non-respect de ces instructions peut causer un décès ou un choc électrique.

1. Débrancher la machine à glaçons ou déconnecter la source de courant électrique.
2. Retirer les deux vis du panneau d'accès inférieur et les deux vis de la grille de base du support du panneau avant. Tirer vers l'avant pour retirer le panneau d'accès inférieur.
3. Tirer le bas vers l'avant, puis tirer vers le bas pour retirer le panneau d'accès inférieur.



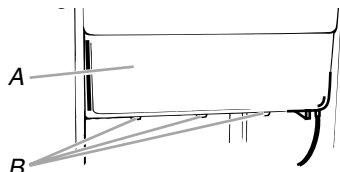
4. Retirer la saleté et la charpie déposées sur les ailettes du condenseur et du logement de l'unité de condensation à l'aide de la brosse d'un aspirateur.



5. Remettre le panneau d'accès inférieur en place et le fixer à l'aide des quatre vis.
6. Brancher la machine à glaçons ou reconnecter la source de courant électrique.

Nettoyage des composants intérieurs

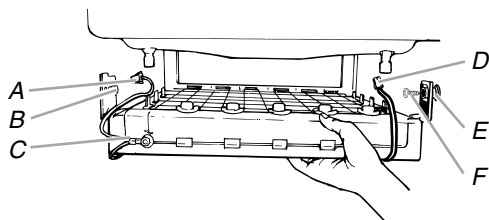
1. Débrancher la machine à glaçons ou déconnecter la source de courant électrique.
2. Ouvrir la porte où se trouve le bac à glaçons et retirer tout glaçon qui s'y trouve.
3. Retirer le capuchon de vidange du réservoir d'eau et vidanger ce dernier complètement. Réinstaller le capuchon de vidange solidement sur le bac à eau. Si le capuchon de vidange est desserré, l'eau s'écoulera du bac à eau et la glace sera mince ou il n'y aura pas de glace.
4. Ôter les deux vis qui maintiennent le couvercle de la grille de coupe en place et retirer le couvercle de la grille de coupe.
5. Débrancher le faisceau de câblage du côté gauche de la grille de coupe.



A. Couvercle de la grille de coupe
B. Vis

6. Débrancher le détecteur de niveau de glaçons du côté droit de la grille de coupe. Tirer le détecteur de niveau vers le bas et vers l'avant pour l'éloigner de la grille de coupe.
7. Retirer les vis de droite et de gauche. Soulever la grille de coupe et la sortir.

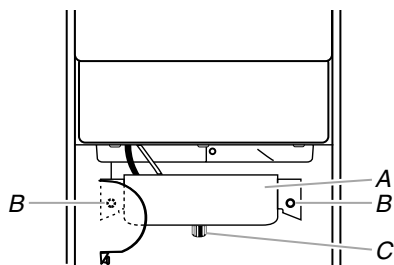
REMARQUE : Il faut s'assurer que la cale d'écartement en plastique du côté droit du support de la grille de coupe suit cette dernière.



A. Faisceau de la grille de coupe
B. Vis
C. Grille de coupe

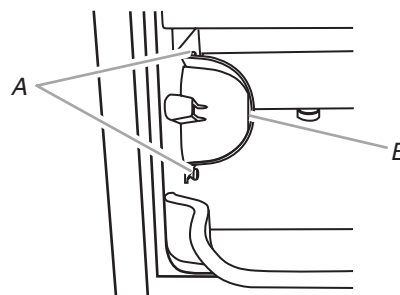
D. Faisceau du détecteur de niveau de glaçons
E. Cale d'écartement en plastique
F. Vis

8. Retirer les deux vis à ailette du bac à eau en place. Appuyer avec une main sur l'avant du bac tout en tirant vers l'avant sur le côté arrière inférieur.



A. Bac à eau
B. Vis à ailette du bac à eau
C. Capuchon de vidange

9. Retirer, nettoyer et réinstaller la pelle à glace et son support.
 - Après avoir retiré la pelle à glace, enlever le support en ôtant les deux vis de serrage.
 - Laver le support de la pelle à glace avec les autres composants intérieurs conformément aux instructions suivantes.
 - Réinstaller le support de la pelle à glace en réinstallant les vis de serrage.



A. Vis de serrage
B. Support de pelle à glace

10. Laver les composants intérieurs (grille de coupe, l'extérieur des tuyaux et le bac à eau), le bac d'entreposage des glaçons, le joint étanche de la porte et la pelle à glaçons avec de l'eau tiède et un savon ou un détergent doux. Rincer avec de l'eau propre. Nettoyer ensuite ces mêmes composants à l'aide d'une solution comprenant 1 cuillère à soupe (15 mL) d'agent de blanchiment dans 1 gal (3,8 L) d'eau tiède. Rincer à nouveau à fond avec de l'eau propre.

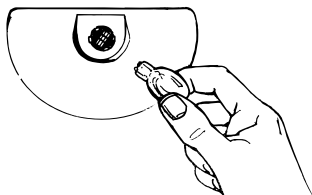
REMARQUE : Ne pas retirer les tuyaux. Ne pas laver les composants en plastique au lave-vaisselle. Ces composants ne résistent pas à des températures supérieures à 145°F (63°C).

11. Remettre le bac à eau en place en appuyant sur le fond avec une main tout en poussant vers le haut et vers l'arrière sur le dessus. Fixer le bac à eau en mettant les deux vis en place.
12. Faire les vérifications suivantes :
 - Le capuchon de vidange du bac à eau est solidement en place. Si le capuchon de vidange est desserré, l'eau s'écoulera du bac à eau et la glace sera mince ou il n'y aura pas de glace.
 - Le tuyau provenant du bac à eau est inséré dans l'ouverture de vidange du bac d'entreposage.
13. Glisser la grille de coupe en place et la fixer en remettant la vis du côté droit et la cale d'espacement en plastique. Serrer ensuite la vis du côté gauche. Reconnecter les faisceaux de la grille de coupe et du détecteur de niveau de glaçons.
14. Réinstaller le couvercle de la grille de coupe et les deux vis.
15. Brancher la machine à glaçons ou reconnecter la source de courant électrique.

Changement de l'ampoule d'éclairage

La machine à glaçons comporte une ampoule d'éclairage à la partie supérieure du bac à glaçons. Pour la remplacer, ouvrir la porte et suivre les instructions suivantes :

1. Débrancher la machine à glaçons ou déconnecter la source de courant.
2. Ôter les deux vis qui retiennent en place le couvercle de la grille de coupe. Passer la main derrière le tableau de commande et tirer l'ampoule d'éclairage vers le bas.
3. Remplacer l'ampoule par une ampoule à culot poussoir de 12 volts (automobile n° 917). Repérer le réceptacle de l'ampoule dans le plafond derrière le tableau de commande. Aligner le bord plat de l'ampoule avec le réceptacle et emboîter l'ampoule dans le socle.



4. Réinstaller le couvercle de la grille de coupe avec les deux vis.
5. Brancher la machine à glaçons ou reconnecter la source de courant électrique.

Précautions à prendre pour les vacances ou le déménagement

AVERTISSEMENT



Risque de choc électrique

Déconnecter la source de courant électrique avant l'entretien.

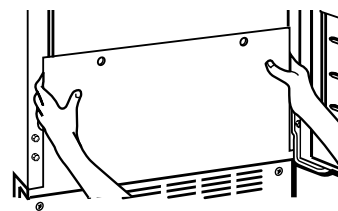
Replacer pièces et panneaux avant de faire la remise en marche.

Le non-respect de ces instructions peut causer un décès ou un choc électrique.

Arrêt de la machine à glaçons :

1. Débrancher la machine à glaçons ou déconnecter la source de courant électrique.
2. Enlever tous les glaçons du bac d'entreposage.
3. Interrompre l'arrivée d'eau.
4. Enlever les deux vis du panneau de l'ouverture d'accès inférieure et les deux vis de la grille de la base (support du

panneau avant). Tirer vers l'avant pour enlever le panneau de l'ouverture d'accès inférieure.



5. Déconnecter les canalisations d'entrée et sortie sur la vanne à eau. Laisser l'eau s'écouler des canalisations, puis reconnecter les canalisations.
6. Réinstaller le panneau de l'ouverture d'accès inférieure et les vis.
7. Évacuer l'eau du bac à eau (ôter le bouchon de drainage).
8. Si la température de la pièce s'abaissera à moins de 32°F (0°C), éliminer tout résidu d'eau dans le conduit de drainage.

Machine à glaçons avec pompe de drainage :

- Brancher la machine à glaçons ou reconnecter la source de courant électrique.
 - Arrêter la machine à glaçons, et enlever tous les glaçons du bac à glaçons.
 - Verser 1 litre d'eau dans le réceptacle à glaçons près de l'orifice de drainage, et attendre environ cinq minutes. Ceci permettra à l'eau de s'écouler depuis le réceptacle jusqu'à la pompe de drainage pour que la pompe puisse évacuer toute l'eau qui reste dans le bac à glaçons et dans la pompe.
 - Débrancher la machine à glaçons ou déconnecter la source de courant électrique.
9. Avant d'utiliser l'appareil de nouveau, nettoyer la machine à glaçons et le bac à glaçons.
 10. Brancher la machine à glaçons ou reconnecter la source de courant électrique.

REMARQUE : Tous les composants de la machine à glaçons ont reçu une lubrification permanente à l'usine. Aucune autre lubrification ne devrait pas être nécessaire durant toute la vie normale de la machine.

DÉPANNAGE

Essayer d'abord les solutions suggérées ci-dessous pour éviter le coût d'une visite de service inutile.

Fonctionnement de la machine à glaçons

La machine à glaçons ne fonctionne pas

- **La commande est-elle réglée à ON (marche)?** S'assurer que la commande est réglée à ON (marche).
- **Le cordon d'alimentation est-il branché?** Brancher l'appareil sur une prise à 3 alvéoles reliée à la terre.
- **Un fusible est-il grillé ou le disjoncteur s'est-il déclenché?** Remplacer le fusible ou réenclencher le disjoncteur.
- **La température de la pièce est-elle plus basse que d'habitude?** La température de la pièce doit être supérieure à 55°F (13°C). Sinon, le thermostat du bac peut détecter une température de la pièce basse et s'arrêter même si le bac n'est pas plein de glaçons. L'appareil peut aussi ne pas se remettre en marche une fois qu'il s'éteint.
- **Le témoin rouge s'allume-t-il lorsque le bouton Clean (nettoyage) est enfoncé?** La machine à glaçons est sous tension mais nécessite un nettoyage. Voir "Nettoyage".
- **La machine à glaçons comporte-t-elle une pompe de vidange?** Si une grande quantité d'eau a été ajoutée à la machine à glaçons, attendre quelques minutes pour que la pompe de vidange évacue l'eau. S'il y a de l'eau stagnante dans le bac, vérifier pour voir si le tuyau d'évacuation est déformé.

La machine à glaçons semble bruyante

- **De l'eau circule-t-elle dans la machine à glaçons?** Ceci est le fonctionnement normal. L'eau est ajoutée une fois par cycle de fabrication des glaçons.
- **L'eau dans le réservoir déborde-t-elle?** Ceci est normal. Ce débordement aide à purger les minéraux éliminés de l'eau durant le processus de fabrication des glaçons.
- **Y a-t-il un bruit de "chuintement"?** Vérifier ce qui suit :
 - S'assurer que l'alimentation en eau est correctement accrochée et branchée.
 - S'assurer que le capuchon de vidange est étanche.
- **Y a-t-il de la glace entre la plaque de l'évaporateur et la grille tranchante?** Vérifier que la machine à glaçons est d'aplomb. Voir "Nivellement". Si la machine à glaçons est d'aplomb mais que le problème persiste, effectuer un programme de nettoyage. Voir "Nettoyage".

Production de glaçons

La machine à glaçons fonctionne mais ne produit pas de glaçons

- **La commande est-elle réglée à ON (marche)?** S'assurer que la commande est réglée à ON (marche).
- **L'alimentation en eau est-elle raccordée?** S'assurer que l'alimentation en eau est correctement reliée et branchée.

- **Le capuchon de vidange est-il bien en place?** Si le capuchon de vidange est desserré, l'eau s'écoulera du bac à eau et la glace sera mince ou il n'y aura pas de glace. Resserer le capuchon de vidange.
- **Y a-t-il des débris dans le tube de vidange?** Nettoyer le tube de vidange.
- **La canalisation de drainage est-elle déformée?** Vérifier que la canalisation n'est pas déformée.
- **Le témoin de nettoyage clignote-t-il en permanence?** Faire un appel de service.

La machine à glaçons fonctionne mais produit très peu de glaçons

- **La température de la pièce est-elle plus élevée que d'habitude?** Les températures supérieures à 90°F (32°C) réduiront normalement la production de glaçons.
- **Le condensateur est-il sale?** De la saleté ou de la charpie peuvent bloquer le débit d'air passant dans le condensateur. Voir "Nettoyage".
- **Y a-t-il une accumulation de tartre dans la machine à glaçons?** S'il y a une accumulation blanche de tartre dans le système d'eau ou de congélation de la machine à glaçons, il faut nettoyer l'appareil. Voir "Nettoyage".
- **Le capuchon de vidange est-il bien en place?** Si le capuchon de vidange est desserré, l'eau s'écoulera du bac à eau et la glace sera mince ou il n'y aura pas de glace. Resserer le capuchon de vidange s'il est desserré.

La grille ne découpe pas les plaques de glace

- **La grille tranchante est-elle bien en place?** Débrancher la machine à glaçons ou déconnecter la source de courant électrique. Ôter le couvercle de la grille tranchante et vérifier la fiche de câblage de la grille tranchante pour être sûr du bon raccordement. Voir "Nettoyage" pour les instructions à ôter le couvercle de la grille tranchante.

Qualité des glaçons

Goût, odeur ou couleur grise des glaçons

- **Y a-t-il une teneur en minéraux anormalement élevée dans l'alimentation en eau?** L'eau peut avoir besoin d'être filtrée ou traitée.
- **Y a-t-il une accumulation de tartre?** Nettoyer la machine à glaçons. Voir "Nettoyage".
- **Y a-t-il des aliments dans le bac à glaçons?** Ne pas conserver d'aliments dans le bac à glaçons.
- **Tous les matériaux d'emballage ont-ils été enlevés?** S'assurer que tous les matériaux d'emballage ont été enlevés au moment de l'installation.

Glaçons minces, mous ou agglomérés

- **Y a-t-il une teneur en minéraux anormalement élevée dans l'alimentation en eau?** L'eau peut avoir besoin d'être filtrée ou traitée.
- **Y a-t-il une accumulation de tartre?** Nettoyer la machine à glaçons. Voir "Nettoyage".
- **Les glaçons sont-ils agglomérés dans le bac?** Si les glaçons ne sont pas utilisés régulièrement, ils fondent et forment un agglomérat. Rompre les agglomérats avec la cuiller à glace fournie.

Problèmes de plomberie

- **Le tuyau de vidange est-il aligné au-dessus de l'évacuation?** Déplacer la machine à glaçons pour qu'elle s'aligne avec l'évacuation. Voir "Raccordement de la canalisation d'eau".

REMARQUE : Les techniciens de service ne peuvent pas réparer les problèmes de plomberie à l'extérieur de la machine à glaçons. Appeler un plombier agréé et qualifié.

ASSISTANCE OU SERVICE

Avant de demander une assistance ou un service, veuillez vérifier la section "Dépannage". Cette vérification peut vous faire économiser le coût d'une visite de réparation. Si vous avez encore besoin d'aide, suivre les instructions ci-dessous.

Lors d'un appel, veuillez connaître la date d'achat et les numéros au complet de modèle et de série de votre appareil. Ces renseignements nous aideront à mieux répondre à votre demande.

Si vous avez besoin de pièces de rechange

Si vous avez besoin de commander des pièces de rechange, nous vous recommandons d'utiliser seulement des pièces de rechange d'origine. Les pièces de rechange d'origine fonctionneront bien et fonctionneront bien parce qu'elles sont fabriquées selon les mêmes spécifications précises utilisées pour construire chaque nouvel appareil KITCHENAID®.

Pour localiser des pièces de rechange d'origine dans votre région, téléphoner à notre Centre d'interaction avec la clientèle ou au centre de service désigné le plus proche.

Téléphoner sans frais au Centre d'interaction avec la clientèle de KitchenAid Canada au :

1-800-461-5681 de 8 h 30 à 17 h 30 (HNE).

Nos consultants fournissent l'assistance pour :

- Caractéristiques et spécifications à notre gamme complète d'appareils électroménagers.
- Les références aux concessionnaires locaux.

Pour service au Canada

Composer le **1-800-807-6777**. Les techniciens de service désignés par KitchenAid Canada sont formés pour remplir la garantie des produits et fournir un service après la garantie partout au Canada.

Pour plus d'assistance

Si vous avez besoin de plus d'assistance, vous pouvez écrire à KitchenAid Canada en soumettant toute question ou problème à :

Customer Interaction Centre
KitchenAid Canada
1901 Minnesota Court
Mississauga, Ontario L5N 3A7

Dans votre correspondance, veuillez indiquer un numéro de téléphone où on peut vous joindre dans la journée.

GARANTIE DE LA MACHINE À GLAÇONS KITCHENAID®

GARANTIE COMPLÈTE DE UN AN

Pendant un an à partir de la date d'achat, lorsque ce produit est utilisé dans un contexte résidentiel ou commercial léger, et entretenu conformément aux instructions fournies avec le produit, KitchenAid ou KitchenAid Canada paiera pour les pièces de rechange d'origine et la main-d'oeuvre pour la correction des vices de matériaux ou de fabrication. Les réparations doivent être effectuées par un établissement de service désigné par KitchenAid.

GARANTIE LIMITÉE DE LA DEUXIÈME À LA CINQUIÈME ANNÉE INCLUSIVEMENT SUR LES PIÈCES DU SYSTÈME DE RÉFRIGÉRATION SCELLÉ TEL QU'INDIQUÉ

De la deuxième à la cinquième année inclusivement à partir de la date d'achat, KitchenAid ou KitchenAid Canada paiera pour les pièces de rechange et la main-d'oeuvre pour la correction des vices de matériaux ou de fabrication du système de réfrigération scellé. Ces pièces sont le compresseur, l'évaporateur, le condenseur, le dispositif de séchage et les tubes de raccord. Les réparations doivent être effectuées par un établissement de service désigné par KitchenAid.

KitchenAid ou KitchenAid Canada ne paiera pas pour :

1. Les visites de service pour rectifier l'installation de votre machine à glaçons, montrer à l'utilisateur comment utiliser la machine à glaçons ou remplacer des fusibles, rectifier le câblage électrique ou la plomberie du domicile ou remplacer des ampoules d'éclairage.
2. Les réparations lorsque la machine à glaçons est utilisée à des endroits où son utilisation dépasse les capacités de fabrication de glace de la machine (environ 50 livres par période de 24 heures). Cette machine à glaçons est conçue pour usage résidentiel et/ou commercial léger ne dépassant pas ces capacités.
3. Les dommages imputables à : accident, modification, usage impropre, abus, incendie, inondation, actes de Dieu, installation fautive, ou l'installation non conforme aux codes locaux d'électricité et de plomberie, ou l'utilisation d'un produit non approuvé par KitchenAid ou KitchenAid Canada.
4. Les pièces de rechange ou les frais de main-d'oeuvre pour les appareils utilisés hors des États-Unis et du Canada.
5. La prise en charge et la livraison de l'appareil chez l'utilisateur. Ce produit est conçu pour être réparé à domicile.
6. Les réparations de pièces ou systèmes imputables à des modifications non autorisées effectuées à l'appareil.
7. Au Canada, les frais de voyage ou de transport pour les clients qui habitent dans des régions éloignées.

KITCHENAID OU KITCHENAID CANADA N'ASSUMENT AUCUNE RESPONSABILITÉ POUR LES DOMMAGES FORTUITS OU INDIRECTS.

Certains États ou provinces ne permettent pas l'exclusion ou la limitation des dommages fortuits ou indirects; aussi cette exclusion ou limitation peut ne pas vous être applicable. Cette garantie vous confère des droits juridiques spécifiques et vous pouvez également jouir d'autres droits qui peuvent varier d'un État ou d'une province à l'autre.

À l'extérieur du Canada et des 50 États des États-Unis, cette garantie ne s'applique pas. Contacter votre marchand KitchenAid autorisé pour déterminer si une autre garantie s'applique.

Si vous avez besoin de service, consulter d'abord la section "Dépannage" de ce manuel. Après avoir vérifié la section "Dépannage", on peut trouver de l'aide supplémentaire à la section "Demande d'assistance ou de service" ou en téléphonant au Centre pour l'expérience de la clientèle de KitchenAid, au **1-800-422-1230** (sans frais), de n'importe où aux É.-U. Pour le service au Canada, composer le **1-800-807-6777**.

11/04

Conserver ce manuel et la facture d'achat ensemble en lieu sûr pour consultation ultérieure. Pour le service sous garantie, vous devez présenter un document prouvant la date d'achat ou d'installation.

Inscrivez les renseignements suivants à propos de votre machine à glaçons pour mieux obtenir assistance ou service en cas de besoin. Vous devez connaître le numéro de modèle et le numéro de série complets. Cette information est indiquée sur la paroi intérieure gauche de la machine à glaçons

Nom du marchand _____

Adresse _____

Numéro de téléphone _____

Numéro de modèle _____

Numéro de série _____

Date d'achat _____

2217404A

© 2005. All rights reserved.
Tous droits réservés.

® Registered Trademark/TM Trademark of KitchenAid, U.S.A., KitchenAid Canada licensee in Canada
® Marque déposée/TM Marque de commerce de KitchenAid, U.S.A., Emploi licencié par KitchenAid Canada au Canada

3/05
Printed in U.S.A.
Imprimé aux É.-U.